

本画册内容，扬州茂源环保科技有限公司保留随时更改的权利，恕不另行通知。



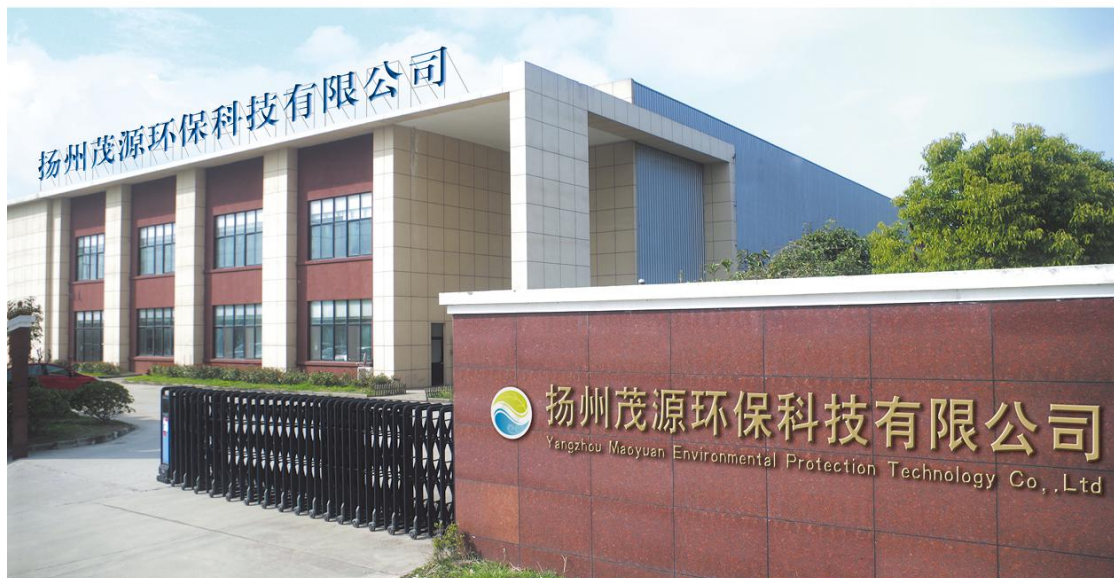
污水处理设备 Sewage Treatment

扬州茂源环保科技有限公司
YANGZHOU MAOYUAN ENVIRONMENTAL PROTECTION TECHNOLOGY CO.,LTD

污水处理设备 - 2021, 印务 03/2021
版本2.0, 第二次印刷

扬州茂源环保科技有限公司
YANGZHOU MAOYUAN ENVIRONMENTAL PROTECTION TECHNOLOGY CO.,LTD

ООО «ТИ-СИСТЕМС» ИНЖИНИРИНГ И ПОСТАВКА ТЕХНОЛОГИЧЕСКОГО ОБОРУДОВАНИЯ
Интернет: www.tisys.ru www.tisys.kz www.tisys.by www.tesec.ru www.ти-системс.рф
Телефоны: +7 (495) 7774788, 7489626, (925) 5007155, 54, 65
Эл. почта: info@tisys.ru info@tisys.kz info@tisys.by



关于茂源 About MaoYuan

扬州茂源环保科技有限公司坐落于中国历史文化名城—扬州，是专业的一站式污泥处理成套解决方案和一站式污水处理成套解决方案的供应商，专业提供高效量螺式污泥脱水机、高效污泥干化设备、污水处理成套设备、河湖淤泥干化设备与技术服务。

茂源人注重研发与自主创新，公司和国内各大高校和科研单位保持密切合作的同时，不断加大自身的研发力量，

在多年研发与工程实践相结合的基础上开发出“高效固液分离技术”、“高效污泥干化技术”等新技术，不断扩大企业在行业内的知名度与影响力。

茂源环保始终将产品质量和客户服务视为企业生命，公司已取得 ISO9001 质量体系认证并且严格执行 ISO9001 质量管理体系的有关要求，从产品研发、原材料采购、生产制造、产品质量检验和售后服务均建立了完整完善的流程控制和管理体系，为保证产品制造及售后服务的高质量，我们用多项常规标准和十几项专业标准来规范指导我们的产品制造和服务。同时公司完善的售后服务体系保证了每一台茂源环保设备均能稳定、可靠的运行为客户创造价值。

我公司成立之初一直坚持产品专业化、精品化和智能化发展，我们相信只有专注才能专业。经过近年的努力，公司在污泥处理和污水处理行业取得了快速的发展，茂源环保的产品已广泛应用于世界 500 强企业 - 中国石化、中国石油、中海油和德国巴斯夫化学，中国知名汽车企业 - 长城汽车，中国知名的啤酒企业——华润雪花，中国知名水务投资企业 - 云南水务和中国水务集团，中国知名饮料企业 - 红牛和加多宝集团，中国知名食品加工企业 - 双汇集团和新希望六和等各行知名企业，另外公司产品还广泛应用于市政污水处理、化工制药、石油石化、食品饮料、造纸、印染、涂料、畜牧等等多个行业。并获得了客户的一致认可。

枝繁叶茂，饮水思源，茂源环保以技术创新，解决污水和污泥环境污染问题为使命，致力于成为技术领先的环保企业，始终以领先的技术、高品质的产品竭诚为用户提供更为完善的服务。

Yangzhou Maoyuan Environmental Protection Technology Co.,Ltd. is located in the Chinese famous historical and cultural city—Yangzhou, a professional one-stop sludge disposal solution provider and supplier of one-stop wastewater treatment solution. Specialized in on high-efficiency screw press sludge dewatering machine, sludge drying machine, complete set of wastewater treatment equipment, lake silt drying machine and relevant technical services.

Maoyuan staff attaches great importance in R&D and our own technology innovation. While keeping close cooperation with major universities and research institutes in China, we continuously strengthen our R&D and develop new technologies such as "high-efficiency solid-liquid separation" and "high-efficiency sludge drying" on the basis of combining dozens years of experience in R&D and engineering practice, so as to continuously keep enriching our popularity and influence among the industry.

Product quality and service are something our company treats like life from start to end. Our company has passed ISO9001 international quality management system certification and strictly follows the requirements. Full sets of process control and management system are settled from R&D, raw materials procurement, manufacturing, quality inspection and after-sale services. To maintain the high level of our products and services, we prepared several general standards and dozens of professional standards to guide the manufacturing and services. Meanwhile, the perfect after-sale services system can guarantee steady operation of every unit coming from Maoyuan to make sure they create value for our clients reliably.

Since the establishment, the company has always adhered to specialization, quality and intelligence. We believe that only concentration makes profession. After years of efforts, the company has made rapid progress in the sludge treatment industry. Products made by Maoyuan are widely applied by World top 500 enterprises, Sinopec, PetroChina, CNOOC and BASF Chemical. Automobile enterprises—the Great Wall automobile, Brewery enterprises—CRB, Water engineering enterprises - Yunnan water and China Water Group. Beverage enterprises—Red Bull and JDB Group, Food processing enterprises—Shuanghui and New Hope Group and other well-known enterprises form all industries. In addition, our products are widely used in Municipal wastewater, Chemical, Pharmaceutical, Petroleum, Food and Beverage. Paper making, Printing and dyeing, Coating, Livestock and many other industries. All received high praises from our customers. Be grateful for the source of development. Maoyuan takes technological innovation and solving the pollution as a mission, committed to become a leading environmental protection company with leading technology and high-quality products, sincerely provide better services for our customers.



荣誉资质
Honorary Certificate



茂源专利
Honorary Certificate



枝繁叶茂
饮水思源

产品目录 Product catalog



污泥脱水 Sludge Dewatering

叠螺污泥脱水机 Screw Press Sludge Dewatering Machine	07
预浓缩叠螺污泥脱水机 Pre-thickening Screw Press Sludge Dewatering Machine	12
叠螺污泥浓缩机 Screw Press Sludge Thickener	14
集成式叠螺污泥脱水系统 Integrated Screw Press Sludge Dewatering System	16
转筒浓缩脱水机 Rotary Drum Thickening & Dewatering Machine	17
带式浓缩脱水机 Belt Filter Press	19
重型带式浓缩脱水机 Heavy Duty Belt Filter Press	21

污泥干化 Sludge Drying

污泥低温余热干化机 Low temperature waste-heat sludge drying	23
污泥低温带式干化机 Low temperature belt-type sludge dryer	25
污泥低温带式干化一体机 Sludge low temperature belt drying	28
污泥低温箱式干化机 Low temperature container-type sludge dryer	30

配套设施 Supporting Facilities

加药搅拌装置 Integrated Polymer Dosing Device	32
污泥输送装置 Sludge Conveying Device	34
污泥存储装置 Sludge Hopper	37

茂源榜 Valued Partners

叠螺污泥脱水机 Screw Press Sludge Dewatering Machine



◆ 产品简介 Product Introduction

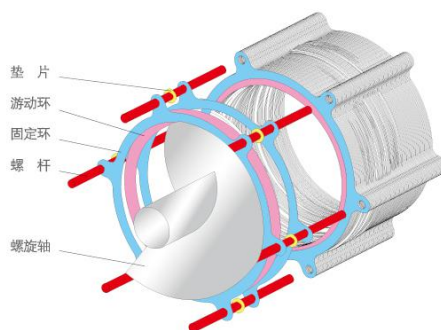
叠螺污泥脱水机是运用了螺杆挤压原理，通过螺杆直径和螺距变化产生的强大挤压力，以及游动环和固定环之间的微小缝隙，实现对污泥进行挤压脱水的一种新型固液分离设备。

Volute Sludge Dewatering which uses the screw extrusion principle is a new type of solid-liquid separation device. It reaches the goal of extrusion dewatering sludge by the powerful extrusion pressure of changing the screw diameter and distance, and the tiny spacing between moveable annular plates and fixed annular plates.

◆ 构造原理 Structure Principle

叠螺污泥脱水机的主体是由多重固定环和游动环构成，螺旋轴贯穿其中形成的过滤装置。前段为浓缩部，后段为脱水部，将污泥的浓缩和压榨脱水工作在一筒内完成，以独特微妙的滤体模式取代了传统的滤布和离心的过滤方式。

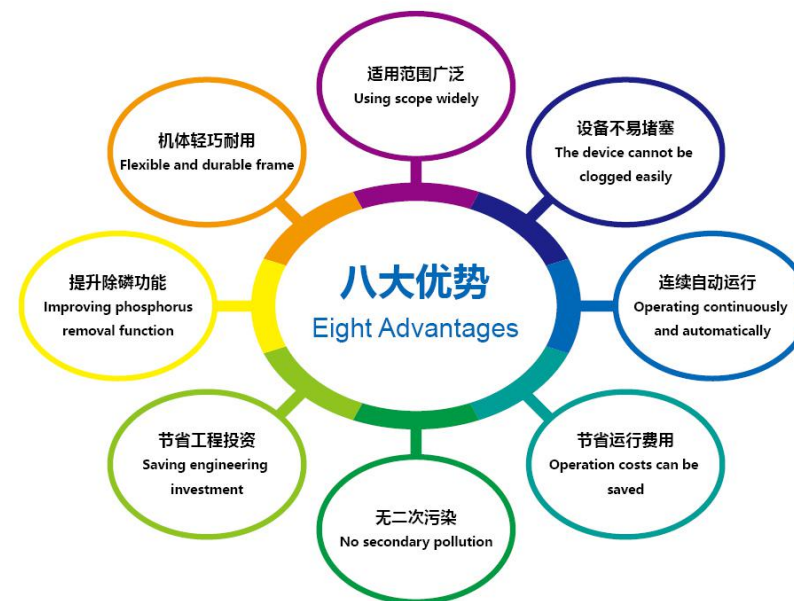
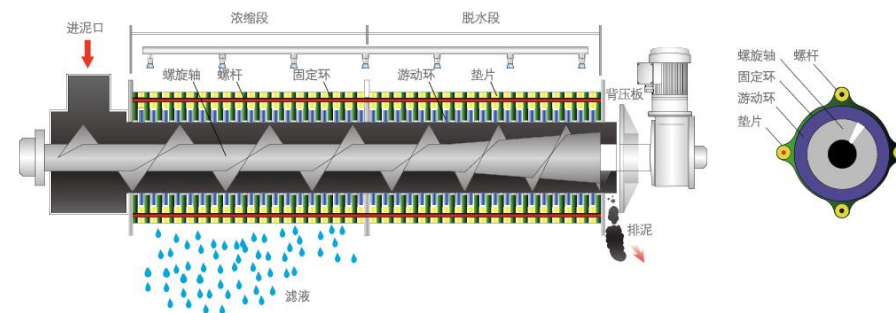
The main body of Volute Sludge Dewatering is made of multiple fixed annular plates and moveable annular plates with the screw shaft running through it. The front part is thickening department and the ending part is dewatering department. It can thicken and dewater sludge in one box, and has taken place of the traditional filter clothes and centrifugal filtration method for its distinctive filter model.



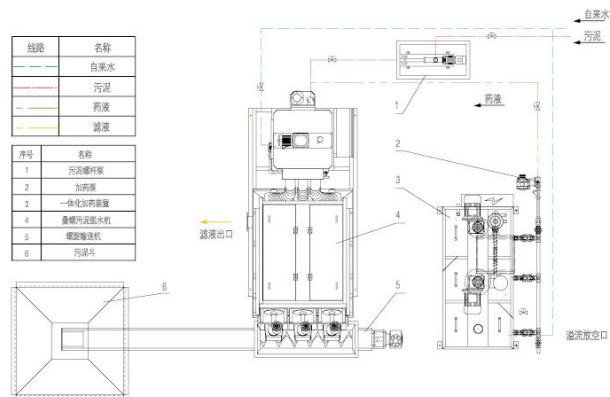
◆ 脱水原理 Dewatering Principle

污泥在浓缩段经过重力浓缩后，被输送到脱水段，在前进的过程中随着滤缝及螺距的逐渐变小，以及背压板的阻挡作用下，产生极大压力，容积不断缩小，达到充分脱水目的。

Sludge will be transported to the dewatering department after being thickened in the thickening department. In the advancing process, great pressure has been produced because of the gradually decreasing filter spacing and screw distance, and the back platen clogging. Then the volume decreases continuously, and the purpose of fully dewatering will be achieved.



◆ 工艺流程图 Process Flow Diagram



叠螺污泥脱水机系统平面布置图
General arrangement for Volute Sludge Dewatering

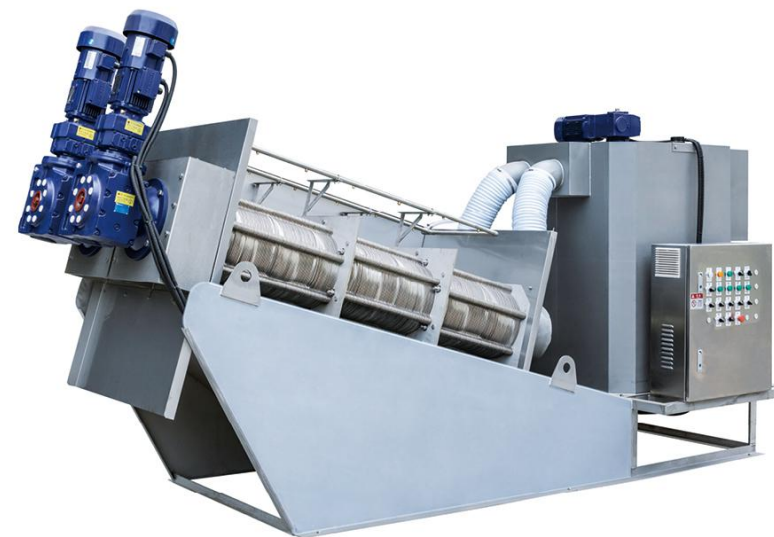
◆ 技术参数 Technical Parameters

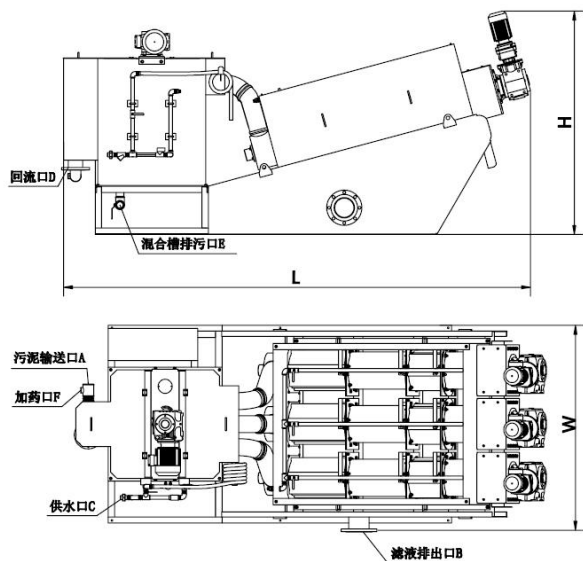
机型 Model	DS标准处理量 Dry sludge treatment capacity	污泥处理量 Sludge treatment capacity				
		10000mg/L	20000mg/L	30000mg/L	40000mg/L	50000mg/L
MYEP131	8~14kg/h	~1m³/h	~0.5m³/h	~0.4m³/h	~0.3m³/h	~0.28m³/h
MYEP201	15~20kg/h	~1.5m³/h	~0.75m³/h	~0.6m³/h	~0.5m³/h	~0.4m³/h
MYEP202	30~40kg/h	~3m³/h	~1.5m³/h	~1.2m³/h	~1m³/h	~0.8m³/h
MYEP203	45~60kg/h	~4.5m³/h	~2.25m³/h	~1.8m³/h	~1.5m³/h	~1.2m³/h
MYEP301	50~70kg/h	~5m³/h	~2.5m³/h	~2m³/h	~1.5m³/h	~1.4m³/h
MYEP302	100~140kg/h	~10m³/h	~5m³/h	~4m³/h	~3m³/h	~2.8m³/h
MYEP303	150~210kg/h	~15m³/h	~7.5m³/h	~6m³/h	~4.5m³/h	~4.2m³/h
MYEP304	200~280kg/h	~20m³/h	~10m³/h	~8m³/h	~6m³/h	~5.6m³/h
MYEP351	100~120kg/h	~10m³/h	~5m³/h	~4m³/h	~3m³/h	~2.4m³/h
MYEP352	200~240kg/h	~20m³/h	~10m³/h	~8m³/h	~6m³/h	~4.8m³/h
MYEP353	300~360kg/h	~30m³/h	~15m³/h	~12m³/h	~9m³/h	~7.2m³/h
MYEP354	400~480kg/h	~40m³/h	~20m³/h	~16m³/h	~12m³/h	~9.6m³/h
MYEP401	130~160kg/h	~13m³/h	~6.5m³/h	~5m³/h	~4m³/h	~3.2m³/h
MYEP402	260~320kg/h	~26m³/h	~13m³/h	~10m³/h	~8m³/h	~6.4m³/h
MYEP403	390~480kg/h	~39m³/h	~19.5m³/h	~15m³/h	~12m³/h	~9.6m³/h
MYEP404	520~640kg/h	~52m³/h	~26m³/h	~20m³/h	~16m³/h	~12.8m³/h

机型 Model	电机功率 (kw) Motor power			清洗水压 Washing water pressure	清洗用水量 Washing water qty (L/h)	维护频率 Maintenance frequency	易损件更换周期 (年) Wearing parts replacing cycle (years)	
	螺旋轴 Screw shaft	搅拌机 Mixer	合计 Total				螺旋轴 Screw shaft	活动环 Moving rings
MYEP131	0.18	0.18	0.36	0.1Mpa~ 0.2Mpa(无 需配高压 冲洗装置) (Without high pressure flushing equipment)	24	5min/h	5	3
MYEP201	0.37	0.18	0.55		32		5	3
MYEP202	0.74	0.55	1.29		64		5	3
MYEP203	1.11	0.55	1.66		96		5	3
MYEP301	0.75	0.55	1.3		40		10	5
MYEP302	1.5	0.75	2.25		80		10	5
MYEP303	2.25	1.1	3.35		120		10	5
MYEP304	3	1.1	4.1		160		10	5
MYEP351	1.1	0.75	1.85		60		10	5
MYEP352	2.2	1.1	3.3		120		10	5
MYEP353	3.3	1.5	4.8		180		10	5
MYEP354	4.4	1.5	5.9		240		10	5
MYEP401	1.5	1.1	2.6		80		10	5
MYEP402	3	1.5	4.5		160		10	5
MYEP403	4.5	1.5	6		240		10	5
MYEP404	6	1.1+1.1	8.2		320		10	5

注：易损件更换时间是个大概数值，在实际运行过程中，污泥的种类，处理的方式，运行调整状况以及每天的运行时间，都会影响易损件的更换周期。（易损件更换周期以365天/年，16小时/天的运行时间来计算）

Note: The time of replacement cycle of easily damaged parts is a ballpark figure. In the practical operation process, the replacement cycle of easily damaged parts will be affected by the types of sludge, the methods of treatment, the situation of operation adjusting, and the time of daily operation. (The replacement cycle of easily damaged parts is calculated by operation time of 365 days per year and 16 hours per day)





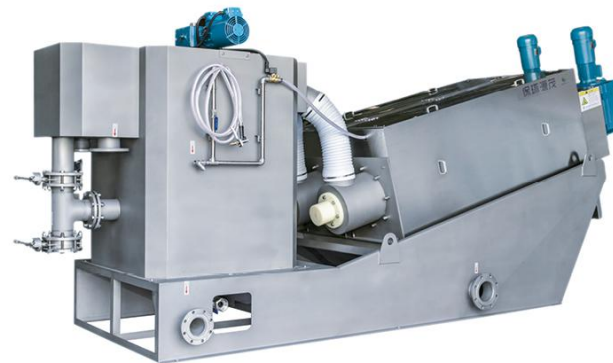
叠螺污泥脱水机外形图

Outline drawing for Volute Sludge Dewatering

◆ 技术参数 Technical Parameters

机型 Model	螺旋规格 Screw specification	泥饼排出口 离地面距离 Distance from mud cake outlet to the ground (mm)	外形尺寸 Overall dimensions (mm)			净重 N.W	运行重量 Operating weight
			长 Length (L)	宽 Width (W)	高 Height (H)		
MYEP131	φ130×1	250	1940	730	1040	250kg	395kg
MYEP201	φ200×1	350	2460	780	1370	420kg	540kg
MYEP202	φ200×2	350	2540	970	1370	550kg	660kg
MYEP203	φ200×3	350	2670	1230	1370	700kg	1010kg
MYEP301	φ300×1	500	3340	920	1750	900kg	1300kg
MYEP302	φ300×2	500	3530	1250	1750	1350kg	2000kg
MYEP303	φ300×3	500	3680	1570	1750	1900kg	2700kg
MYEP304	φ300×4	500	3830	1990	1750	2500kg	3600kg
MYEP351	φ350×1	520	3850	1070	2040	1100kg	2000kg
MYEP352	φ350×2	520	4100	1430	2040	2100kg	3250kg
MYEP353	φ350×3	520	4230	1870	2040	3100kg	4600kg
MYEP354	φ350×4	520	4230	2370	2040	4100kg	5700kg
MYEP401	φ400×1	660	4540	1170	2110	2200kg	4200kg
MYEP402	φ400×2	660	4810	1600	2110	3500kg	6000kg
MYEP403	φ400×3	660	4810	2170	2110	5500kg	8000kg
MYEP404	φ400×4	660	5010	2740	2110	7000kg	9500kg

预浓缩叠螺污泥脱水机
Pre-thickening Screw Press Sludge Dewatering Machine



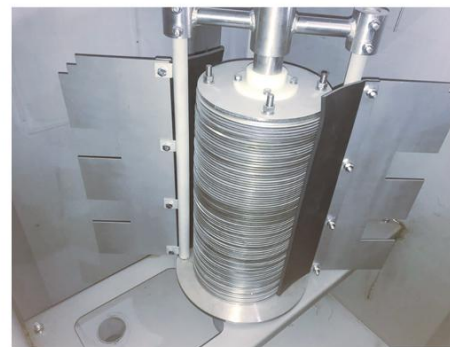
◆ 产品简介 Product Introduction

预浓缩叠螺污泥脱水机也是运用了螺杆挤压原理，通过螺杆直径和螺距变化产生强大的挤压力，以及游动环和固定环之间的微小间隙，实现对污泥进行挤压脱水的一种新型固液分离设备。

该设备与叠螺污泥脱水机不同之处是：预浓缩叠螺污泥脱水机是在混合槽中增加了预浓缩机构，该机构可将浓度低于10000mg/L的污泥先进行污泥浓缩然后在进行污泥脱水处理，从而彻底取代了污泥脱水处理前的污泥浓缩池，达到更好的提高低浓度污泥的处理效果。

Pre-thickening screw press sludge dewatering machine is also a new type solid-liquid separation equipment, which applies the screw extrusion principle. By the changes of screw diameter and distance, and the small gap between fixed rings and moving rings, it generates strong force which achieves the dewatering.

The equipment differs from the screw press sludge dewatering machine in that it has an extra pre-thickening mechanism in the mixing tank, which can thicken the sludge with a concentration less than 10,000 mg/L first and then dewater, thus it completely takes place of the sludge thickening tank achieves better treatment effect of low concentration sludge.



◆ 技术参数 Technical Parameters

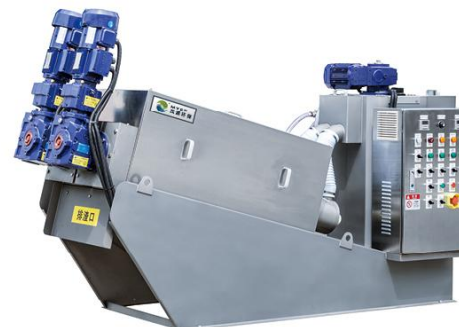
机型 Model	DS标准处理量 Dry sludge treatment capacity	污泥处理量 Sludge treatment capacity			
		2500mg/L	5000mg/L	10000mg/L	20000mg/L
MYEP-Y301	40~70kg/h	~16m³/h	~10m³/h	~7m³/h	~3.5m³/h
MYEP-Y302	80~140kg/h	~32m³/h	~20m³/h	~14m³/h	~7m³/h
MYEP-Y303	120~210kg/h	~48m³/h	~30m³/h	~21m³/h	~10.5m³/h
MYEP-Y304	160~280kg/h	~64m³/h	~40m³/h	~28m³/h	~14m³/h
MYEP-Y351	80~120kg/h	~32m³/h	~16m³/h	~12m³/h	~6m³/h
MYEP-Y352	160~240kg/h	~64m³/h	~32m³/h	~24m³/h	~12m³/h
MYEP-Y353	240~360kg/h	~96m³/h	~48m³/h	~36m³/h	~18m³/h
MYEP-Y354	320~480kg/h	~128m³/h	~64m³/h	~48m³/h	~24m³/h
MYEP-Y401	100~160kg/h	~40m³/h	~26m³/h	~16m³/h	~8m³/h
MYEP-Y402	200~320kg/h	~80m³/h	~52m³/h	~32m³/h	~16m³/h
MYEP-Y403	300~480kg/h	~120m³/h	~78m³/h	~48m³/h	~24m³/h
MYEP-Y404	400~640kg/h	~160m³/h	~104m³/h	~64m³/h	~32m³/h

机型 Model	电机功率 Motor power (kw)			清洗用水压 Washing water pressure	清洗用水量 Washing water qty (L/h)	维护频度 Maintenance frequency	易损件更换周期 (年) Wearing parts replacing cycle (years)		
	螺旋轴 Screw shaft	搅拌机 Mixer	合计 Total				螺旋轴 Screw axis	活动环 Moving ring	驱动轴 Drive shaft
MYEP-Y301	0.75	0.75	1.5	0.1Mpa~0.2Mpa(无需配高压冲洗装置) (Without high pressure flushing equipment)	40	5min/h	10	5	2
MYEP-Y302	1.5	1.1	2.25		80		10	5	2
MYEP-Y303	2.25	1.1	3.35		120		10	5	2
MYEP-Y304	3	1.1	4.1		160		10	5	2
MYEP-Y351	1.1	1.1	2.2		60		10	5	2
MYEP-Y352	2.2	1.1	3.3		120		10	5	2
MYEP-Y353	3.3	1.5	4.8		180		10	5	2
MYEP-Y354	4.4	1.5	5.9		240		10	5	2
MYEP-Y401	1.5	1.1	2.6		80		10	5	2
MYEP-Y402	3	1.1	4.1		160		10	5	2
MYEP-Y403	4.5	1.5	6		240		10	5	2
MYEP-Y404	6	1.1+1.1	8.2		320		10	5	2

注：易损件更换时间是个大概数值，在实际运行过程中，污泥的种类，处理的方式，运行调整状况以及每天的运行时间，都会影响易损件的更换周期。（易损件更换周期以365天/年，16小时/天的运行时间来计算）

Note: The time of replacement cycle of easily damaged parts is a ballpark figure. In the practical operation process, the replacement cycle of easily damaged parts will be affected by the types of sludge, the methods of treatment, the situation of operation adjusting, and the time of daily operation. (The replacement cycle of easily damaged parts is calculated by operation time of 365 days per year and 16 hours per day)

叠螺污泥浓缩机
Screw Press Sludge Thickener



◆ 产品简介 Product Introduction

叠螺污泥浓缩机继承了叠螺污泥脱水机的低能耗，高效率，全自动控制，运行稳定等技术优点，可直接将二沉池污泥快速连续浓缩，且浓缩分离后的污泥浓度在90%~96%范围内稳定可调，采用该设备后无需建设浓缩池，减少建设投资和占地，有效减少浓缩池污泥造成的恶臭和磷释放，降低后续处理的工作负担，并大幅度提高污泥脱水和深度脱水设备的产能。

Compared with the traditional screw sludge dehydrator, Screw Press Sludge Thickener is also advanced in the low operating & maintenance cost, dewatering performance, smell protection, noise, automatic control, service life and labor intensity, etc. The sludge can be condensed rapidly and continuously in the secondary

sedimentation tank, meanwhile, after condensed and separated, the sludge concentration can be adjusted between 90% and 96% stably, there are many advantages after make use of this device, such as no need concentrated tank, small footprint, less cost, effectively reduce the odor & phosphorus release caused by sludge concentration tank, easy the following treatment process, greatly improve the process capacity of sludge dewatering and deep dehydration equipments.

◆ 技术特点 Technical Feature

- ◆ 浓缩效率高，占地面积小，封闭式作业，减少臭气产生
- ◆ 低速运转，低能耗，运行成本低，低震动，低噪音
- ◆ 污泥浓缩范围广，适用污泥含水率范围98%~99.8%，浓缩后污泥含水率在90%~96%的范围内稳定可调
- ◆ High concentration efficiency, Small footprint, Completed Enclosure, Little Odor
- ◆ Low Rotating Speed, Low noise, Low Power Consumption, Compact Design
- ◆ Wide sludge concentration range, applied water content of sludge : 98%~99.8%.The concentrated water content of sludge is 90%~96%, which can be adjusted stably

◆ 使用范围 Applications

- ◆ 作为污泥深度脱水系统的预处理设备，为高压板框压滤机、隔膜压滤机等设备配套
- ◆ 替代污泥浓缩池，作为污泥脱水系统的预处理设备
- ◆ 用于其他浓缩或固液分离工艺
- ◆ As the pre-treatment device of deep dewatering, also as the auxiliary equipment of ultra high pressure elastic presser, membrane filter presser
- ◆ Take place of sludge thickening tank, work as the pre-treat device of the sludge dewatering system
- ◆ Sludge dewatering in the municipal & industrial wastewater treatment system
- ◆ Solid liquid separation in the municipal & industrial wastewater treatment system
- ◆ Other wastewater treatment applications in the municipal & industrial wastewater treatment system.

◆ 技术参数 Technical Parameters

机型 Model	DS标准处理量 Dry Sludge treating capacity	污泥处理量 Sludge treating capacity				净重 N.W	运行重量 Operating weight
		2500mg/L	5000mg/L	10000mg/L	20000mg/L		
MYEP-N301	70~100kg/h	28m³/h	14 m³/h	10 m³/h	5 m³/h	850 kg	1250kg
MYEP-N302	140~200kg/h	56 m³/h	28 m³/h	20 m³/h	10 m³/h	1200 kg	1900kg
MYEP-N303	210~300kg/h	84 m³/h	42 m³/h	30 m³/h	15 m³/h	1750 kg	2550kg
MYEP-N304	280~400kg/h	112 m³/h	56 m³/h	40 m³/h	20 m³/h	2300 kg	3400kg
MYEP-N351	120~160kg/h	48 m³/h	24 m³/h	16 m³/h	8 m³/h	1030 kg	1930kg
MYEP-N352	240~320kg/h	96 m³/h	48 m³/h	32 m³/h	16 m³/h	1960 kg	3110kg
MYEP-N353	360~480kg/h	144 m³/h	72 m³/h	48 m³/h	24 m³/h	2890 kg	4390kg
MYEP-N354	480~640kg/h	192 m³/h	96 m³/h	64 m³/h	32 m³/h	3820 kg	5420kg
MYEP-N401	200~300kg/h	80 m³/h	40 m³/h	30 m³/h	15 m³/h	2090 kg	4090kg
MYEP-N402	400~600kg/h	160 m³/h	80 m³/h	60 m³/h	30 m³/h	3280 kg	5780kg
MYEP-N403	600~900kg/h	240 m³/h	120 m³/h	90 m³/h	45 m³/h	5170 kg	7670kg
MYEP-N404	800~1200kg/h	320 m³/h	160 m³/h	120 m³/h	60 m³/h	6560 kg	9060kg

机型 Model	电机功率 Motor power (kw)			清洗水压 Washing water pressure	清洗水量 Washing water qty (L/h)	维护频度 Maintenance frequency	易损件更换周期(年) Wearing parts replacing cycle (Year)	
	螺旋轴 Screw shaft	搅拌机 Mixer	合计 Total				螺旋轴 Screw shaft	活动环 Movable ring
MYEP-N301	0.75	0.55	1.3	0.1Mpa~ 0.2Mpa(无 需配高压 冲洗装置) (No need high pressure flushing device)	40	5min/h	10	5
MYEP-N302	1.5	0.75	2.25		80		10	5
MYEP-N303	2.25	1.1	3.35		120		10	5
MYEP-N304	3	1.1	4.1		160		10	5
MYEP-N351	1.1	0.75	1.85		60		10	5
MYEP-N352	2.2	1.1	3.3		120		10	5
MYEP-N353	3.3	1.5	4.8		180		10	5
MYEP-N354	4.4	1.5	5.9		240		10	5
MYEP-N401	1.5	1.1	2.6		80		10	5
MYEP-N402	3	1.5	4.5		160		10	5
MYEP-N403	4.5	1.5	6		240		10	5
MYEP-N404	6	1.1+1.1	8.2		320		10	5

注：易损件更换时间是个大概数值，在实际运行过程中，污泥的种类，处理的方式，运行调整状况以及每天的运行时间，都会影响易损件的更换周期。（易损件更换周期以365天/年，16小时/天的运行时间来计算）

Note: The time of replacement cycle of easily damaged parts is a ballpark figure. In the practical operation process, the replacement cycle of easily damaged parts will be affected by the types of sludge, the methods of treatment, the situation of operation adjusting, and the time of daily operation. (The replacement cycle of easily damaged parts is calculated by operation time of 365 days per year and 16 hours per day)

集成式叠螺污泥脱水系统 Integrated Screw Press Sludge Dewatering System

◆ 产品简介 Product Introduction

集成式叠螺污泥脱水系统是从为客户节约投资成本的角度出发，研发出的一种可移动车载式污泥脱水成套系统。该设备移动方便，可以多点式服务于不同污水处理厂。该集成式叠螺污泥脱水系统主要是由叠螺污泥脱水机、一体化加药装置、加药泵、污泥泵及运输车(运输车由用户自备)组合而成。

Integrated Screw Press Sludge Dewatering System is developed for the purpose of reducing the investment cost of our clients, which is a complete supporting system for movable vehicles, this system is convenient to move, so it can be of service for different sewage treatment factory in different places. This system is mainly composed of screw press sludge dewatering equipment, integrated polymer dosing device, polymer feed pump, sludge pump and transportation truck (this is supplied by the user himself).



◆ 工作原理 Working Principle

根据不同污水处理厂的需要，至处理厂污泥池边对剩余污泥进行脱水处理。先开启一体化加药装置对药剂进行充分搅拌至熟化；再将污泥抽至叠螺的絮凝混合槽，待污泥和药剂混合反应，矾花进入叠螺主体，经浓缩段的重力浓缩后，至脱水部进行脱水。泥饼外运处理，滤液则返回系统进行再处理。

According to the requests, this unit can move to treat the sludge on site. Firstly, open the integrated dosing device to mix the polymer completely; then pumping the sludge to the mixing tank, after the chemical reaction, the alum will be thickened. After dewatering, the mud cake is out and the filtrate will return to the system, to be processed again.



◆ 技术特点 Technical Feature

- ◆ 可供多个小规模设施污水处理厂的污水处理
- ◆ 封闭式作业，减少臭气产生
- ◆ 低能耗，运行成本低，低震动，低噪音
- ◆ 易损部件少，维修成本低，使用寿命长
- ◆ 全自动控制，连续运行、维护管理简单
- ◆ 可随机移动，便捷

- ◆ It can treat the sludge for several small-scale sewage treatment factories.
- ◆ Working in completed Enclosure, less odor.
- ◆ Low Power Consumption and low operating cost. Low vibration and low noise.
- ◆ Less wearing parts and less maintenance costs. Longer life.
- ◆ Fully-automatic Control and continuous operation. Easy to operate & maintain.
- ◆ Convenient and easy to move.

转筒浓缩脱水机 Rotary Drum Thickening & Dewatering Machine



◆ 产品简介 Product Introduction

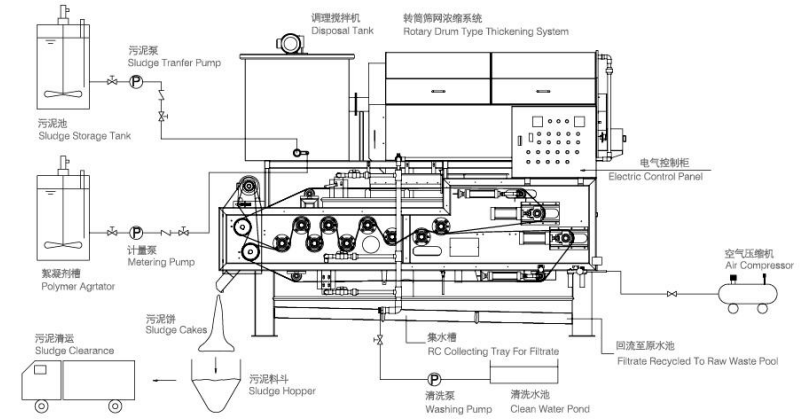
MYZNT型转筒浓缩脱水机主要用于未经浓缩池浓缩的污泥的处理（如A/O法剩余污泥），依靠转筒浓缩脱水，即相当于具有浓缩、脱水双重功能，处理量较单纯压滤脱水高。

MYZNT Rotary Drum Thickening & Dewatering Machine is also used for sludge which hasn't been thickened by the sludge thickening pond (such as excess sludge from A/O process). By the effect of the rotary drum, it has both concentrating and dehydrating functions, which is more efficient than pure filter press.

◆ 特点 Feature

- ◆ 结合国外的设计经验，一体化设计机身，整机平稳运行，无异响
- ◆ 表面涂装面漆，美观大方，耐化学药性。结构坚固，结实耐用
- ◆ 全自动远程、现场控制，有效降低人力，机型紧凑，节约土建
- ◆ 采用优质滤布，PEX聚酯纤维单丝编织。电气、电机均采用优质品牌
- ◆ Combined with foreign design experience, integrated machine body. Can operate smoothly without abnormal noise.
- ◆ The surface is painted with coating, generous and anti-chemical. Solid and durable.
- ◆ Fully remote and on-site control, effectively saving labor. And the compact body saving construction.
- ◆ Using high quality filter cloth made by PEX fiber monofilament. Including high quality electrical components and motor.

◆ 工艺流程 Process Flow Chart



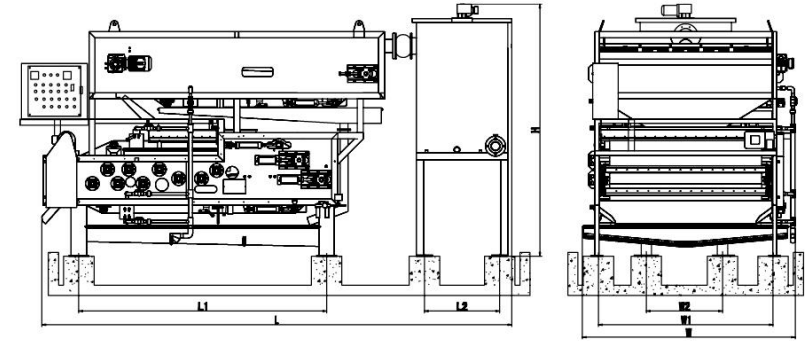
◆ 技术参数 Technical Parameter

型号 Model		MYZNT1.0	MYZNT 1.5	MYZNT 2.0	备注 Remark
尺寸规格 Size specification					
滤带宽度 Belt width (mm)		1000	1500	2000	
污泥处理量 Sludge treating capacity (m ³ /h) 进泥浓度 Inlet consistency (S.S0.8~1.5%)		5-10	8-15	12-20	需视污泥种类而定 Based on the kinds of sludge
绝干量 Dried sludge (Kgds/h)		75-140	110-200	180-260	需视污泥种类而定 Based on the kinds of sludge
泥饼含水率 Mud cake water content's rate (%)		75-85	75-85	75-85	需视污泥种类而定 Based on the kinds of sludge
使用功率 Power Consumption (kw)	滤带驱动电机 (变频调速) Driving motor (frequency control)	0.37	0.75	0.75	
	滤带浓缩机 Disposal agitator motor	0.37	0.55	0.55	
	调理搅拌机 Drum thickener	0.37	0.55	0.75	
滤液下总排水盘 Lower collecting tray for pressed filtrate		有	有	无	
底座尺寸 Base dimension L1×W1 (mm)		2100×1300	2450×1860	2715×2420	
参考重量 Reference weight (KG)		1100	1600	2850	

带式浓缩脱水机 Belt Filter Press



◆ 技术参数 Technical Parameter



◆ 产品简介 Product Introduction

MYDNT型带式浓缩脱水机也是用于未经浓缩池浓缩的污泥的处理（如A/O法剩余污泥、SBR法的剩余污泥），也具有浓缩、脱水双重功能。与MYZNT的主要区别是浓缩结构的不同，是依靠滤带重力脱水，使用处理量更大的场合。

MYDNT Belt Filter Press, it is also mainly used for processing the sludge which is not concentrated in the thickening pool (Such as A/O residual sludge, SBR residual sludge), it also has two functions : concentration and dewatering. Its structure is different from Rotary drum thickening belt dehydrator, the sludge is dehydrated by the belt gravity , this device is used in the higher capacity.

◆ 特点 Feature

- ◆ 结合国外的设计经验，一体化设计机身，整机平稳运行，无异响
- ◆ 表面涂装面漆，美观大方，耐化学药性。结构坚固，结实耐用
- ◆ 全自动远程、现场控制，有效降低人力，机型紧凑，节约土建
- ◆ 采用优质滤布，PEX聚酯纤维单丝编织。电气，电机等均采用优质品牌
- ◆ Combined with foreign design experience, integrated machine body. Can operate smoothly without abnormal noise.
- ◆ The surface is painted with coating, generous and anti-chemical. Solid and durable.
- ◆ Fully remote and on-site control, effectively saving labor. And the compact body saving construction.
- ◆ Using high quality filter cloth made by PEX fiber monofilament. Including high quality electrical components and motor.

型号 Model		MYDNT1.0	MYDNT1.5	MYDNT2.0	备注 Remark
尺寸规格 Size specification					
滤带宽度 Belt width (mm)		1000	1500	2000	
污泥处理量 Treating capacity (m ³ /h) 进泥浓度 Inlet consistency (S.S0.8~1.5%)		6-12	10-18	15-25	需视污泥种类而定 Based on the kinds of sludge
绝干量 Dried sludge (Kgds/h)		90-160	140-240	210-300	需视污泥种类而定 Based on the kinds of sludge
泥饼含水率 Mud cake water content's rate (%)		75-85	75-85	75-85	需视污泥种类而定 Based on the kinds of sludge
使用功率 Power consumption (kw)	滤带驱动电机 (变频调速) Driving motor (frequency control)	0.37	0.75	0.75	
	滤带浓缩机 Disposal agitator motor	0.75	0.75	1.1	
	调理搅拌机 Drum thickener	0.37	0.55	0.75	
滤液下总排水盘 Lower collecting tray for pressed filtrate		有	有	无	
外观参考尺寸 Dimensions for reference (mm)	L	4050	4680	5150	订购前请索要实际安装尺寸 Please ask for the actual installation size picture before purchasing
	W	1770	2100	2750	
	H	2250	2980	3190	
基座尺寸 Base dimension L1×W1 (mm)		2100×1300	2440×1720	2715×2420	
基座尺寸 Base dimension L2×W2 (mm)		640×800	740×800	950×1100	
参考重量 Reference weight (KG)		2000	2850	3500	

重型带式浓缩脱水机 Heavy Duty Belt Filter Press



◆ 产品简介 Product Introduction

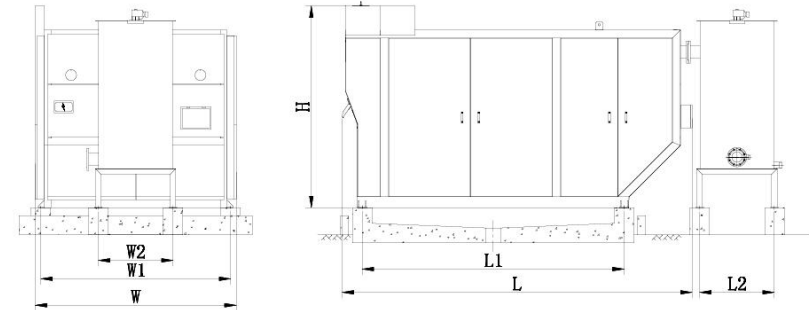
MYZDNT型全封闭重型带式浓缩脱水机也是用于未经浓缩池浓缩的污泥处理（如A/O法剩余污泥、SBR法的剩余污泥），也具有浓缩、脱水双重功能，该系列机型为了达到更高的处理量要求和更低的含水率要求，巧妙的设计成多压榨辊及高压辊机型；同时为了满足客户的全封闭要求，该机型设计成外开门结构，方便维护。

Heavy duty belt filter press is also used for sludge which hasn't been thickened by the sludge thickening pond (such as excess sludge from A/O and SBR process), it has both concentrating and dehydrating functions. In order to achieve higher processing capacity and lower moisture requirement, this series are skillfully designed into multiple press rollers and high-pressure rollers models. Meanwhile, in order to satisfy customers' fully-closing operation requirements, this series is designed into open-door structure for easy maintenance.

◆ 特点 Feature

- ◆ 结合国外的设计经验，一体化设计机身，整机平稳运行，无异响
- ◆ 表面涂装面漆，美观大方，耐化学药性。结构坚固，结实耐用
- ◆ 全自动远程、现场控制，有效降低人力，机型紧凑，节约土建
- ◆ 采用优质滤布，PEX聚酯纤维单丝编织。电气、电机均采用优质品牌
- ◆ Combined with foreign design experience, integrated machine body. Can operate smoothly without abnormal noise.
- ◆ The surface is painted with coating, generous and anti-chemical. Solid and durable.
- ◆ Fully remote and on-site control, effectively saving labor. And the compact body saving construction.
- ◆ Using high quality filter cloth made by PEX fiber monofilament. Including high quality electrical components and motor.

◆ 技术参数 Technical Parameter

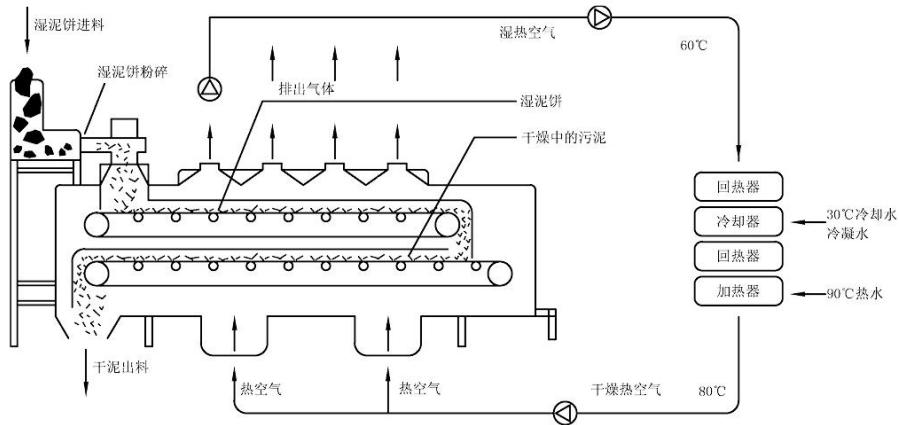


型号 Model		MYZDNT1.0	MYZDNT1.5	MYZDNT2.0	MYZDNT2.5	备注
尺寸规格 Size specification						
滤带宽度 Belt width (mm)		1000	1500	2000	2500	
污泥处理量 Sludge treating capacity (m ³ /h) 进泥浓度 Inlet consistency (S.S.0.8~1.5%)		10-20	15-30	25-40	35-50	需视污泥种类而定 Based on the kinds of sludge
绝干量 Dried sludge (Kgds/h)		90-240	240-350	320-400	400-530	需视污泥种类而定 Based on the kinds of sludge
泥饼含水率 Mud cake water content's rate (%)		70-85	70-85	70-85	70-85	需视污泥种类而定 Based on the kinds of sludge
使用功率 Power consumption (kw)	滤带驱动电机 (变频调速) Driving motor (frequency control)	1.1	1.1	1.5	1.5	
	滤带浓缩机 Disposal agitator motor	0.75	0.75	1.1	1.5	
	调理搅拌机 Drum thickener	0.75	0.75	1.1	1.1	
滤液下总排水盘 Lower collecting tray for pressed filtrate		无	无	无	无	
外观参考尺寸 Dimensions for reference (mm)	L	3850	3850	4500	4500	订购前请索要实际安装尺寸 Please ask for the actual installation size picture before purchasing
	W	1580	2080	2580	3080	
	H	2090	2090	2590	2590	
底座尺寸 Base dimension L1×W1 (mm)		2920x1340	2920x1840	3450x2240	3450x2760	
底座尺寸 Base dimension L2×W2 (mm)		750x750	800x800	960x960	1210x1210	
参考重量 Reference weight (KG)		3500	4200	5300	6200	

污泥低温余热干化机 Low temperature waste-heat sludge drying



◆ 工艺流程图 Process flow chart



◆ 技术参数 Technical parameter

型号	MYR5000	MYR10000	MYR15000	MYR20000	MYR25000
标准去水量 /24h	≈ 5000kg	≈ 10000kg	≈ 15000kg	≈ 20000kg	≈ 25000kg
去水量 /h	≈ 208kg	≈ 416kg	≈ 624kg	≈ 832kg	≈ 1040kg
运行功率	13kw	26kw	39kw	52kw	65kw
标准供热功率	200kw	400kw	600kw	800kw	1000kw
热水流量 (m³/h)	8.6	17.2	25.8	34.4	43
标准冷却功率	180kw	360kw	540kw	720kw	900kw
冷却水流量 Δt=12°C m³/h	13	26	39	52	65
热交换模块数	1 台	2 台	3 台	4 台	5 台
外形尺寸 mm	4560*3110*3200	7900*3110*3200	11150*3110*3200	14400*3110*3200	17650*3110*3200
结构形式	组装	组装	组装	组装	组装
重量 (吨)	5.7	8.6	12.3	14.8	16.5

型号	MYR30000	MYR35000	MYR40000	MYR45000	MYR50000
标准去水量 /24h	≈ 30000kg	≈ 35000kg	≈ 40000kg	≈ 45000kg	≈ 50000kg
去水量 /h	≈ 1248kg	≈ 1458kg	≈ 1667kg	≈ 1875kg	≈ 2083kg
运行功率	78kw	91kw	104kw	117kw	130kw
标准供热功率	1200kw	1400kw	1600kw	1800kw	2000kw
热水流量 (m³/h)	51.6	60.2	68.8	77.4	86
标准冷却功率 (kw)	1080	1260	1440	1620	1800
冷却水流量 Δt=12°C m³/h	78	91	104	117	130
热交换模块数	6 台	7 台	8 台	9 台	10 台
外形尺寸 mm	20900*3110*3200	24150*3110*3200	27400*3110*3200	30650*3110*3200	33900*3110*3200
结构形式	组装	组装	组装	组装	组装
重量 (吨)	20.4	23.4	26.3	29.3	32.2

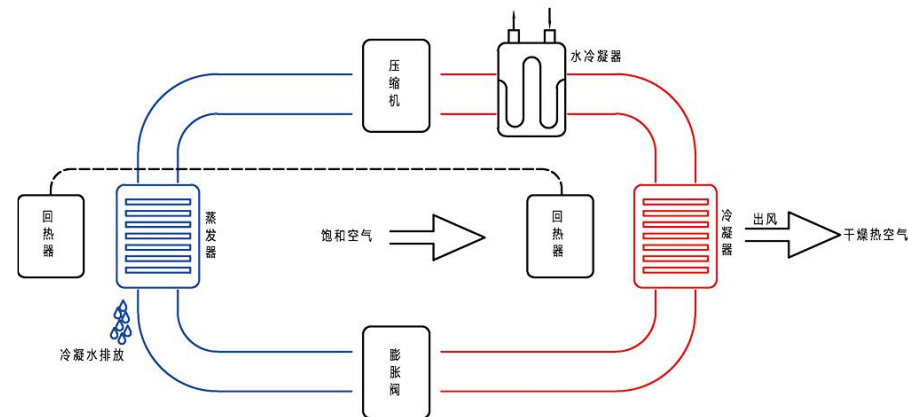
◆ 附表 Schedule

型号	参数
电源	(220V/380V/440V) /3H/50HZ (60Hz)
标准干燥温度	50-65°C (回风) /68-85°C (送风)
热源	烟气余热 (换热)、蒸汽冷凝水、发电机余热、厌氧消化 (燃气制热水) 污泥裂解气化燃烧制热水等
标准供热工况	90°C /70°C (热水等)
冷却工况	33°C /45°C (冷却水)
控制系统	触摸屏+PLC 可编程控制器
湿泥适用范围	含水率 (40%-82%)(不同含水率适应性不同)
干料含水	变频调节, 含水率 (10%-60%)(进泥含水率不同干料含水率调整范围不同)
成型方式	切条、挤条 (不同含水率, 泥性应适合选用)

污泥低温带式干化机 Low temperature belt-type sludge dryer

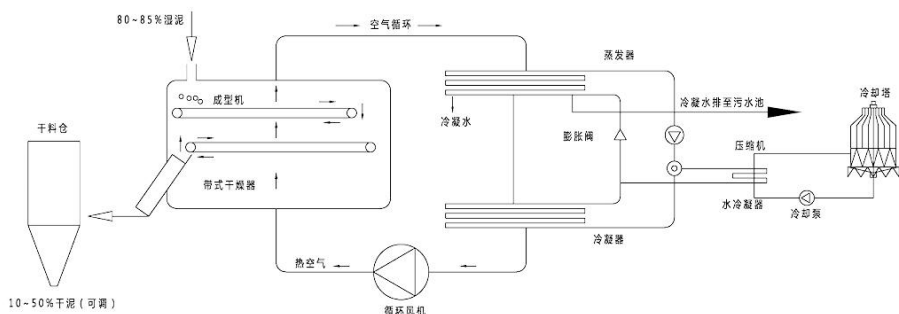


利用制冷系统将来自干燥室的湿空气降温脱湿，同时回收水分凝结的潜热再次加热干燥空气，它是除湿（去湿干燥）与热泵（能量回收）的结合，是干燥过程中能量的循环利用。



◆ 低温干化原理 Principle of low temperature drying

茂源环保自主创新研发的污泥低温干化设备，是利用低温热泵除湿原理，采用对流热风干燥的方式对网带上的湿料污泥进行脱水干化减量，整套系统全密闭式设计，干燥热风无热损。



◆ 技术参数 Technical parameter

型号	MYB600SL	MYB1200SL	MYB2400FL	MYB4800FL	MYB7200FL	MYB9600FL	MYB14400SL
标准去水量 /24h	600kg	1200kg	2400kg	4800kg	7200kg	9600kg	14400kg
去水量 /h	25kg	50kg	100kg	200kg	300kg	400kg	600kg
运行功率	8kw	15kw	26kw	52kw	75kw	104kw	156kw
热泵模块数	1台	1台	1台	2台	3台	2台	3台
压缩机台数	1台	1台	4台	8台	12台	8台	12台
冷却方式	自来水冷却		风冷 FL			风冷 FL	水冷 SL
冷却水流量 $\Delta t=15^{\circ}\text{C}$	//	//	//	//	//	//	9m ³ /h
外形尺寸 mm	2625*1277 *1850	3170*1580 *2080	3760*2190 *2420	6460*2190 *2420	9160*2190 *2420	7900*3110 *3200	11150*3110 *3200
结构形式	整装	整装	整装 / 组装	组装	组装	组装	组装
重量 (吨)	1.6	2.0	3.2	5.8	8.0	9.1	12.3

型号	MYB19200SL	MYB24000SL	MYB28800SL	MYB33600SL	MYB38400SL	MYB43200SL	MYB48000SL
标准去水量 /24h	19200kg	24000kg	28800kg	33600kg	38400kg	43200kg	48000kg
去水量 /h	800kg	1000kg	1200kg	1400kg	1600kg	1800kg	2000kg
运行功率	208kw	260kw	312kw	364kw	416kw	468kw	520kw
热泵模块数	4台	5台	6台	7台	8台	9台	10台
压缩机台数	16台	20台	24台	28台	32台	36台	40台
冷却方式	水冷 SL						
冷却水流量 △t=15°C	12m³/h	15m³/h	18m³/h	21m³/h	24m³/h	27m³/h	30m³/h
外形尺寸 mm	14400*3110 *3200	17650*3110 *3200	20900*3110 *3200	24150*3110 *3200	27400*3110 *3200	30650*3110 *3200	33900*3110 *3200
结构形式	组装	组装	组装	组装	组装	组装	组装
重量 (吨)	15.5	17.7	21.9	25.1	28.3	31.5	34.7

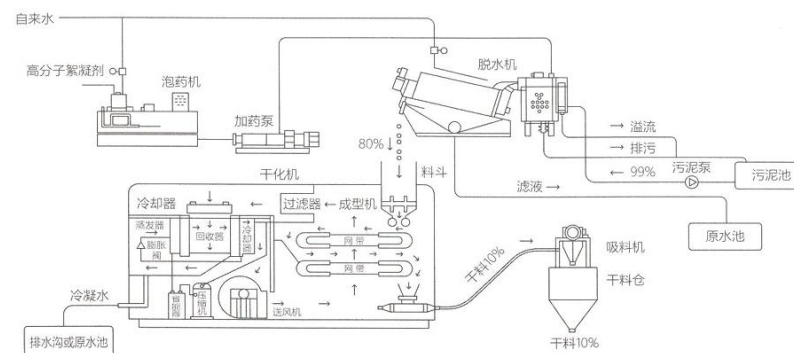
污泥低温带式干化一体机 Sludge low temperature belt drying



◆ 附表 Schedule

型号	参数
制冷剂	R134a
电源	(220V\380V\440V)/3H/50Hz(60Hz)
干燥温度	48 - 56°C (回风)/6S ~ 80°C (送风)
控制系统	触摸屏 +PLC 可编程控制器
湿泥适用范围	含水率 (40%-82%)(不同含水率适应性不同)
干料含水	变频调节, 含水率 (10%-60%)(进泥含水率不同干料含水率调整范围不同)
成型方式	切条、挤条 (不同含水率, 泥性应适合选用)

◆ 工艺流程图 Process flow chart



◆ 技术参数 Technical parameter

型号	MYT140	MYT280	MYT560	MYT1120	MYT1680	MYT2500	
污泥处理量 DS/24h(绝干量)	140kg	280kg	560kg	1120kg	1680kg	2500kg	
折合 80% 含水率污泥量 DS/24(干至 10%)	720kg	1440kg	2880kg	5760kg	8640kg	13000kg	
前置脱水机规格	MYEP201	MYEP251	MYEP301	MYEP302	MYEP303	MYEP352	
低温干化规格	MYB600SL	MYB1200SL	MYB2400FL	MYB4800FL	MYB7200FL	MYB10800FSL	
干化水量 kg/d	600	1200	2400	4800	7200	10800	
运行功率	叠螺脱水	0.55kw	1.1kw	1.3kw	2.25kw	3.35kw	3.3kw
	低温干化	7kw	14kw	26kw	50kw	75kw	105kw
外形尺寸 mm	2625*1277*1850	3170*1580*2080	3810*2215*2420	6510*2215*2420	9210*2215*2420	7900*3110*3200	
运行重量	1870kg	2530kg	4000kg	6800kg	10800kg	12000kg	

型号	MYT3750	MYT5000	MYT6250	MYT7500	MYT8750	MYT10000	
污泥处理量 DS/24h(绝干量)	3750kg	5000kg	6250kg	7500kg	8750kg	10000kg	
折合 80% 含水率污泥量 DS/24(干至 10%)	19500kg	26000kg	32500kg	39000kg	45500kg	52000kg	
前置脱水机规格	MYEP353	MYEP354	MYEP352+MYEP353	MYEP353+MYEP353	MYEP353+MYEP354	MYEP354+MYEP354	
低温干化规格	MYB16200FSL	MYB21600FSL	MYB27000FSL	MYB32400FSL	MYB37800FSL	MYB43200FSL	
干化水量 kg/d	16200	21600	27000	32400	37800	43200	
运行功率	叠螺脱水	4.8kw	5.9kw	8.1kw	9.6kw	10.7kw	11.8kw
	低温干化	155kw	205kw	255kw	305kw	355kw	405kw
外形尺寸 mm	11500*3110*5800	1440*3110*5800	17650*3110*3200	20900*3110*5800	24150*3110*5800	27400*3110*6200	
运行重量	16000kg	20000kg	4000kg	28000kg	32000kg	36000kg	

◆ 附表 Schedule

型号	参数
进泥含水率	98%-99.3%
干泥含水率	10%(10%-60%可调节)
耗电量(绝干量)(干至 30%)	880kw.h/t.DS-740kw.h/t.DS(不同泥性差异)
折合 80% 含水率污泥耗电量(干至 30%)	176kw.h/t-145kw.h/t(不同泥性差异)
高分子絮凝剂添加量(绝干量)	4-7kg/t.DS(不同泥性差异)
折合 80% 污泥高分子絮凝剂添加量	1.0-1.4kg/t(不同泥性差异)
冲洗水量(绝干量)	2.5t/t.DS

污泥低温箱式干化机
Low temperature container-type sludge dryer



◆ 产品特点 Product features

10%

≤ 10% 含水率
减量 80% 以上

1:4.2

1:4.2 除湿比
两倍行业标准



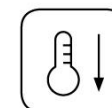
无臭气排放
无需除臭

100%

无热损
百分百热利用

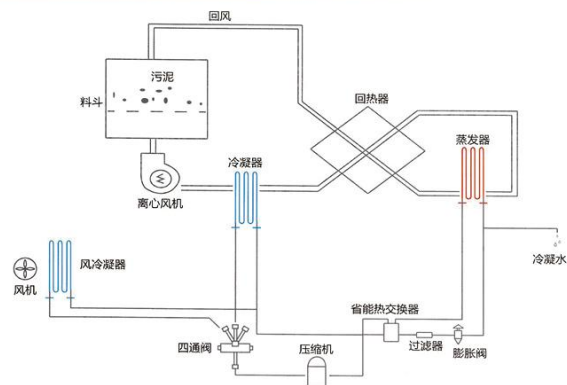
180 kWh/T

低至 180kwh/T
的运行成本



低温更安全
无扬尘危害

◆ 工艺流程图 Process flow chart



◆ 技术参数 Technical Parameters

型号	MYX200	MYX400	MYX800
标准去水量 /24h	200kg	400kg	800kg
去水量 /h	8~13kg/h	15~23kg/h	30~46kg/h
运行功率	3.5kw	6.0kw	12kw
料斗外形尺寸 mm	800(长)*800(宽)*750(高)	1000(长)*1000(宽)*750(高)	1200(长)*1200(宽)*1100(高)
外形尺寸 mm	1650*1150*1500	2200*1350*1700	2600*1500*2000
结构形式	整装	整装	整装
重量 (吨)	580kg	900kg	1430kg

◆ 附表 Schedule

型号	参数
能耗	2.0~3.5kg.H ₂ O/KW.h
压缩机台数	1台
冷却方式	风冷
制冷剂	R134a
电源	220V/380V/440V/3H/50Hz(60Hz, 定制)
干燥程度	40~50°C (回风)/60~80°C (送风)
控制系统	触摸屏 +PLC 可编程控制器
干料含水率	10%-40%

加药搅拌装置
Integrated Polymer Dosing Device

加药装置的功能是将粉末状的絮凝剂溶解成絮凝剂溶液。

选型：加药装置容量=所配置的脱水机单位时间绝干污泥量×絮凝剂添加率×絮凝剂稀释倍数×持续运行时间

The function of Polymer Dosing System is to make the flocculants of powder or liquid dissolve or dilute into flocculants solution.

Model selection: volume of Polymer Dosing System = absolute dry capacity of sludge in set time of dewatering machine × adding rate of flocculants × dissolving times of flocculants × continuous operation time.



◆ 一体化加药装置 Integrated Dosing Device

集配料、溶解、投加于一体，全自动运行，干投机和加热装置的巧妙设计可减少结块现象；

投加量、进水量均可调整，可任意制备所需浓度的药液，当粉末未达到低位时发出报警信号；

可选：真空上料机、在线稀释系统

槽体材质可选：不锈钢304或316L，聚丙烯PP，玻璃钢FRP等

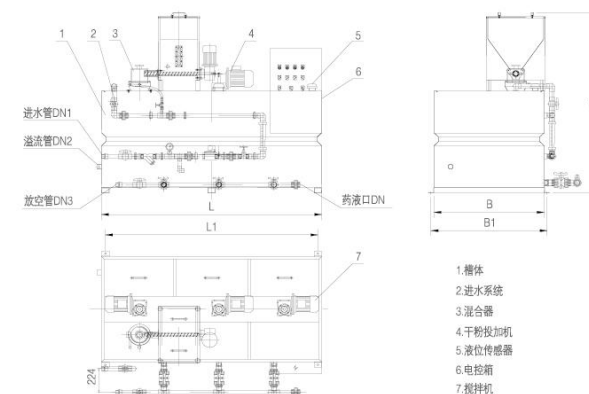
Dosing, dissolving and feeding function are integrated, full automatic operation. Well designed dosing and heating device can reduce polymer caking;

Polymer and water inletting are adjustable, All concentration of the liquid can be reached according to your needs.

The machine will remind to add polymer when the polymer reaches low level;

Optional: Vacuum feeding machine, Online dilution system;

Tank material: SS304 or SS316L, Polypropylene, FRP, etc.



◆ 技术参数 Technical parameter

项目 Item	型号 Model	MYTH 500	MYTH 1000	MYTH 1500	MYTH 2000	MYTH 2500	MYTH 3000	MYTH 4000
制备能力 Capacity (L/h)	熟化时间 一个小时 Curing for an hour	500	1000	1500	2000	2500	3000	4000
整机功率 Power (kw)		1.7	2.45	2.45	2.45	3.5	3.9	3.9
PAM干粉投加量 PAM dosage (kg/h)		1-5	2-10		3-15		3.5-20	
进水量 Water inlet (m³/h)		0.3-1.5	0.6-3	0.9-4	1.2-6	1.6-8	2.0-10	2.4-12
外观参考尺寸 Reference dimension (mm)	L	1370	2000	2130	2200	2400	2400	2720
	B	680	1000	1070	1200	1200	1300	1400
	H	1500	1710	1710	1900	2140	2180	2250
	L1	1300	1930	2060	2130	2330	2330	2650
	B1	730	1050	1120	1250	1250	1350	1450
	加药口 power feeder DN	DN25	DN32	DN32	DN32	DN40	DN40	DN40
	进水口 Water inlet DN1	DN25	DN32	DN32	DN32	DN40	DN50	DN50
溢流口 Overflow port DN2	DN32	DN40	DN40	DN40	DN40	DN40	DN40	
放空口 Vent port DN3	DN25	DN32	DN32	DN32	DN40	DN40	DN40	
设备净重 N.W. (kg)		250	400	490	550	650	700	770

◆ 人工加药装置 Manual Dosing Device

人工投料，适用于投药量较小，有工作人员在场的场合；

人工加料容易，安装方便；

桶体、加药泵、电控箱和管件集成安装在架体上，结构紧凑，安装运输方便；

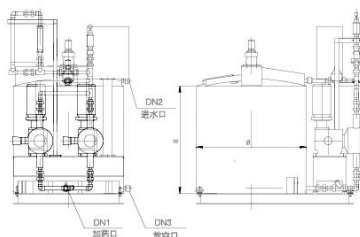
罐体材质可选：不锈钢SS304或SS316L，聚乙烯PE，玻璃钢FRP等。

Artificial feeding, suitable for polymer feeding with small quantity, and there is operator at site.

Easy artificial feeding, Convenient installation.

The barrel body, polymer feed pump, electric control panel, and pumps are all installed on the frame body, compact structure, easy installation and transportation.

Tank material optional: SS304, SS316L, Polyethylene PE, FRP etc.



◆ 技术参数 Technical parameter

型号 Model	公称体积 The nominal area (m³)	搅拌功率 Mixing power	桶体直径 Barrel diameter Φ (mm)	桶体高度 Barrel height H0 (mm)	加药口 Polymer feed port DN1 (mm)	进水口 Water inlet port DN2 (mm)	放空口 Vent port DN3 (mm)
MJY1000	1	0.75	1050	1330	25	25	32
MJY2000	2.0	1.5	1310	1720	25	25	40
MJY3000	3.0	1.5	1550	1800	25	25	40

污泥输送装置
Sludge Conveying Device



◆ 产品简介 Product Introduction

安装在污泥脱水设备后，将脱水污泥输运至装载地点，通常污泥输送设备可分为无轴螺旋输送机 and 皮带输送机。一般制作成密封结构，进行输送，起到汇集和改善环境的作用，便于后续处理。由U型槽，进料斗，盖板，螺旋体，衬板和驱动机构等组成。

Being installed after the sludge dewatering machine, it can transport the dewatered sludge to loading place. Usually, there are two kinds of sludge conveying equipment—shaftless screw conveyor and belt conveyor. They are made into sealed structure in normal cases for transporting. Having the function of gathering and improving the environment for further disposal. Consisted of U-through, feeding hopper, sealing plate, screw, liner, driving device and other parts.

◆ 特点 Feature

- ◆ 全自动电气保护，可实现与污泥脱水系统的联控；
- ◆ 结构紧凑，安装方便，采用膨胀螺栓固定；
- ◆ 槽内衬耐磨材料，噪声小，改善环境；
- ◆ 长度、角度、进料斗可按要求定制；
- ◆ 螺旋体叶片由不锈钢或锰钢制作，强度大，耐腐蚀。
- ◆ Fully automatic electric protection can be co-controlled with Bar Rack Cleaner
- ◆ Compact in structure, convenient installation with expansion bolts
- ◆ Using wear-resisting material bars in trough, its examining and repairing is convenient
- ◆ Its length, angle and discharging hopper can be manufactured according to customers requirements
- ◆ The spiral blades are made of stainless steel and have big strength and good resistant to corrosion.

◆ 技术参数 Technical parameter

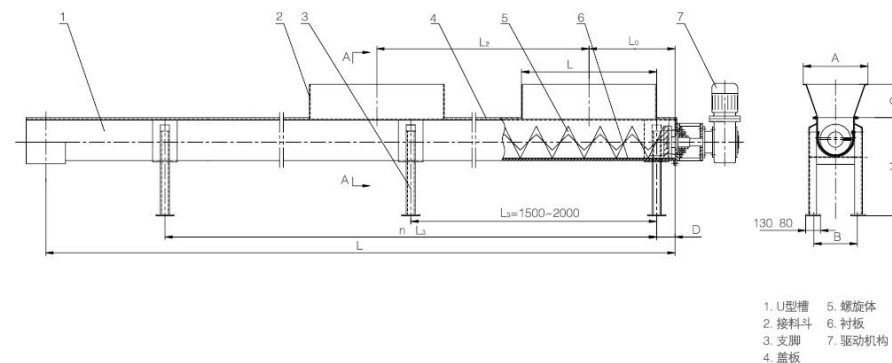
项目 Item		型号 Model	MWLS-260	MWLS-300	MWLS-360	MWLS-420
转速 Rotation speed (rpm)			18 (水平 horizontal) ; >18 (倾斜 incline)			
输送量或处理量 Capacity (m ³ /h)	0°		3	6	9.5	12
	15°		2.1	4.6	6.5	9
	30°		1.3	2.6	4.3	5.7
螺旋直径 Screw diameter (mm)			220	260	320	380
输送长度 Conveying length (m)			6			
功率(参考) Power (reference) (kw)			1.1	1.5	2.2	3
安装角度 Installation angle α			$\leq 20^\circ$ 【特殊订货 Special ordering $20^\circ < \alpha \leq 30^\circ$ 】			

注：1、表中功率对应：L=6m，介质为含水率80%的污泥；2、安装角度 α 指螺旋体轴线与地面夹角。

Note: 1. The power in the table is corresponding to : L=6 M, Moisture of the sludge medium is 80%;

2. The installation angle is referring to the angle between spiral axis and ground.

◆ 工艺流程 Process flow chart



◆ 皮带输送机 Belt type conveyor

主要用于输送颗粒或粉末状固体，在水域工程上主要用于输送栅渣，脱水后的泥饼、泥沙等。
Mainly used for conveying solid powder, screen sediment, dewatered sludge cakes etc in the sewage treatment project.

◆ 特点 Character

- ◆ 输送能力大，分有挡边和无挡边型，可作长距离输送，可制作成移动式，方便输送；
- ◆ 结构通用性高，便于更换清理；
- ◆ 若有需要固定时，可采用膨胀螺栓现场固定，安装方便。
- ◆ Large conveying capacity, there are two types: one is with flange, another is without flange, can be used for long-distance conveying, can also be made as mobile model for convenient transportation.
- ◆ The structure is universal, easy for replacing and cleaning.
- ◆ If needs to be fixed in site, the expansion bolts can be used to install and fix in site, easy installation.

◆ 技术参数 Technical Parameters

项目型号 Model	带宽 Belt width	滚筒直径D Drum diameter	最大输送能力 Max conveying capacity	线速 Wire-speed	单位功率 Power
MPDS500	500mm	320mm	60t/h	~1.0m/s	0.2kw/m
MPDS650	650mm	400mm	100t/h	~1.0m/s	0.25kw/m

污泥存储装置 Sludge Hopper



◆ 产品简介 Product Introduction

污泥斗主要用于污泥脱水间，收集脱水后的泥饼并储存在泥斗中。当污泥达到一定容积后，污泥斗底部的阀门通过控制打开，将泥饼卸至卡车上运走。

Sludge hopper mainly used for collecting and storing the sludge during or after the dewatering. When the sludge reaches a volume, the valve under the hopper will be opened and the sludge cake will be discharged to the truck directly.

◆ 特点 Feature

- ◆ 根据用户现场条件确定污泥斗的形式
- ◆ 适应叠螺污泥脱水机、带式压滤机、离心机脱水机的泥饼储存
- ◆ 卸料方式可选：鳄鱼阀，插板阀
- ◆ 驱动方式可选：电动，气动
- ◆ 主体材质：碳钢环氧油漆防腐，不锈钢SS304/316L

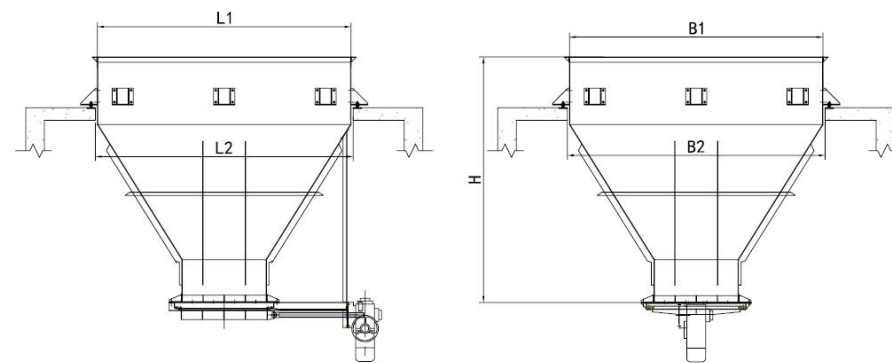
- ◆ The type of sludge hopper can be selected and confirmed according to the project site.
- ◆ It can be equipped to store the sludge cake produced by Screw Press Sludge Dewatering Machine, Belt filter press, Centrifuge.
- ◆ Discharging method: Electric, Pneumatic.
- ◆ Main material: Carbon epoxy anti-corrosion paint, SS 304/316L

◆ 工作原理 Working principle

污泥斗底部有两个扇门，通过控制两扇门来收集和排出污泥，扇形门由气缸或电动推杆来控制。

There are two doors at the bottom of the sludge hopper, the sludge is collected and discharged by controlling the two doors, which are controlled by the gas cylinder or the electric driving rod.

◆ 工艺流程 Process flow chart



◆ 技术参数 Technical Parameters

型号 Model	尺寸规格 Dimensions	MND2	MND3	MND5	MND10	MND15
容积 Volume(m ³)		2	3	5	10	15
外形尺寸 Overall dimensions	L1 (mm)	1600	2100	2600	2800	3000
	B1 (mm)	1600	2100	2600	2800	3000
	H (mm)	1900	1900	2300	2800	3000
土建尺寸 Civil size	L2 (mm)	1640	2140	2640	2840	3040
	B2 (mm)	1640	2140	2640	2840	3040

泥(砂)水分离设备 Sand Water Separation Equipment



桁架刮泥机
Bridge Sludge Scraper



中心传动刮泥机
Center Drive Sludge Scraper



中心传动浓缩机
Center Drive Sludge Thickener



BZBG半桥式周边传动刮泥机
Half Bridge Peripheral Drive Sludge Scraper



ZBG全桥式周边传动刮泥机
Full Bridge Peripheral Drive Sludge Scraper



旋流沉砂器
Vortex Grit Chamber



砂水分离器
Grit Classifier



滗水器
Decanter

机械格栅设备 Mechanical Screens



齿耙格栅
Rake Bar Screen



反捞格栅
Rotating Grid Screen



转鼓格栅
Rotary Drum Screen



转鼓过滤机
Rotary Drum Filter

其他污水处理设备 Other



平流式气浮机
Dissolved Air Flotation



螺旋压榨机
Screw Compactor



闸门
Penstock

茂源榜
Valued Partners



部分业绩
Selected performance

中国石化辽河石化分公司
大连真爱果业有限公司
辽宁宝来生物能源有限公司
长春禾丰食品有限公司
伊春金林矿业有限公司
北京环卫集团
河北无公害处理中心
河北一品制药股份有限公司
回头客食品集团股份有限公司

山东万达集团股份有限公司
山东宏旭化学股份有限公司
济南柴油机股份有限公司
中国机械六院
河南雏鹰农牧股份有限公司
安徽巨成精细化工有限公司
安徽天洋药业有限公司
重庆大新药业股份有限公司
克拉玛依依兴有限责任公司

麦王环保工程技术(上海)有限公司
亚德(上海)环保系统有限公司
上海动物无公害处理中心
江苏天成集团有限公司
江苏禾裕泰化学有限公司
浙江嘉化集团
浙江今日食品有限公司
浙江美孚石油化工有限公司
象山华宇食品有限公司

湖北保灵华环保科技有限公司
湖北荆州小胡鸭食品有限公司
湖南海尚环境生物科技有限公司
江西赣州青峰制药有限公司
贵州铜仁第一人民医院
广东一方制药有限公司
福建紫金铜业有限公司
云南沃森生物科技有限公司
永丰余造纸股份有限公司